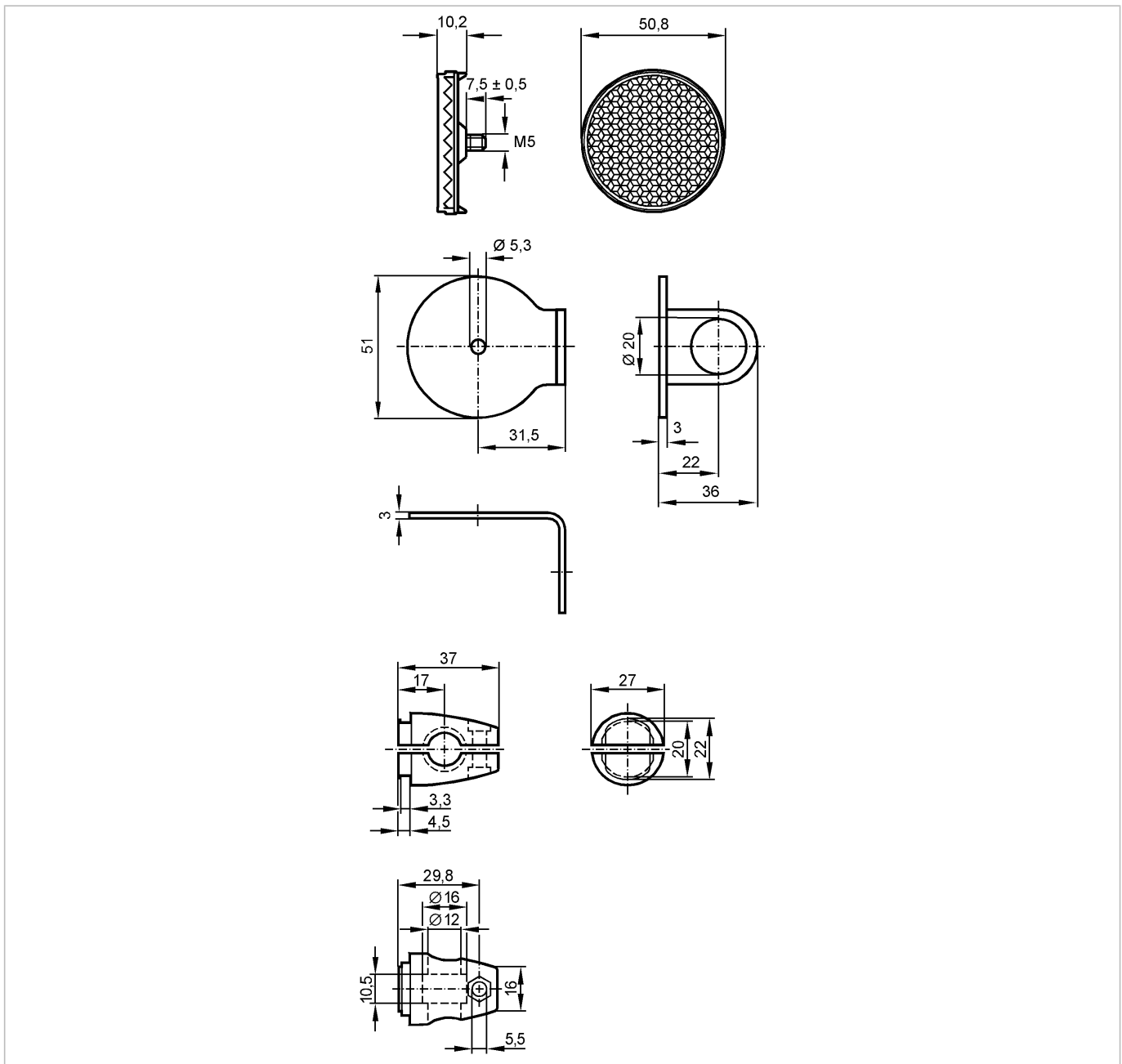


E20997

SYSTEM COMPONENT REFLECTOR

Accessories



Product characteristics

Mounting set

Clamp mounting

Mechanical data

Design	for reflector; Ø 50 mm
Housing materials	fixture: stainless steel 316Ti / 1.4571; clamp: diecast zinc
Type of mounting	free-standing M10
Weight [kg]	0.238

Accessories

Accessories (included)	Head cap screw; M10 x 55
------------------------	--------------------------

Remarks

Pack quantity [piece]	1
-----------------------	---